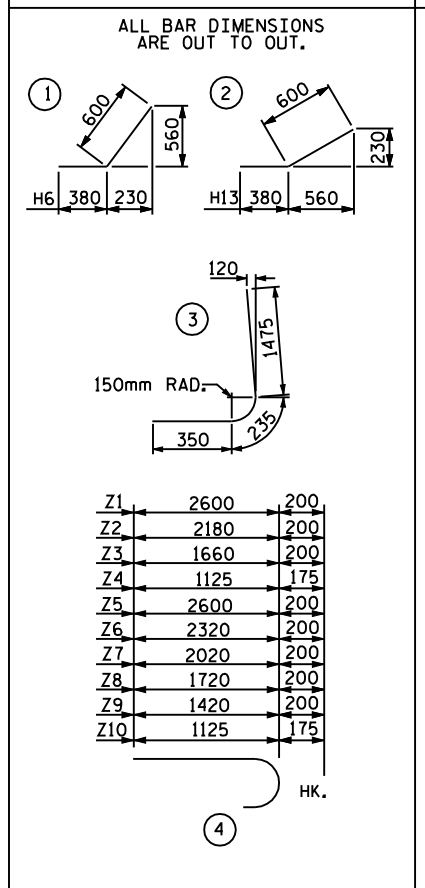


BAR TYPES BILL OF MATERIAL

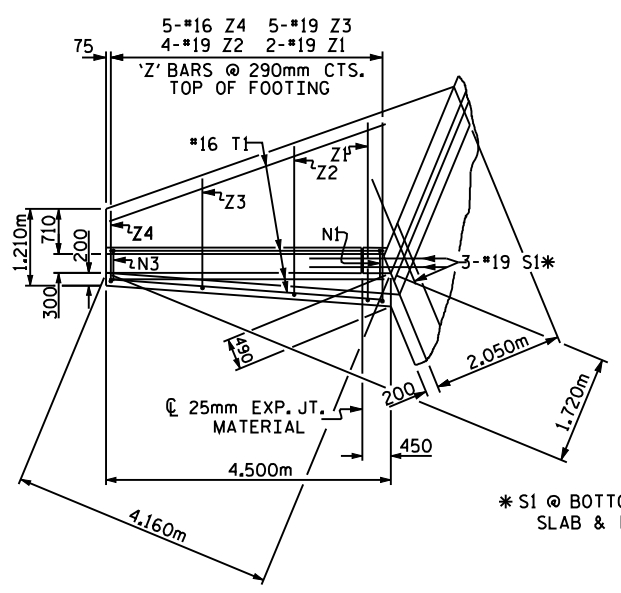


BAR NO.	SIZE	TYPE	LENGTH	WEIGHT	
H1	20	13	3940	78	
H2	4	13	3640	14	
H3	4	13	2640	10	
H4	4	13	1660	7	
H5	4	13	660	3	
H6	40	13	980	39	
H7	10	13	4320	43	
H8	20	13	10440	208	
H9	4	13	9820	39	
H10	4	13	7400	29	
H11	4	13	4960	20	
H12	4	13	2540	10	
H13	40	13	980	39	
H14	10	13	10600	105	
N1	16	22	3	2060	100
N2	8	19	3	2060	37
N3	8	16	3	2060	26
N4	28	22	3	2060	175
N5	24	19	3	2060	110
N6	24	16	3	2060	77
S1	12	19	STR	1800	48
T1	4	16	STR	4500	28
T2	4	16	STR	11000	68
V1	4	16	STR	4020	25
V2	4	16	STR	3760	23
V3	8	16	STR	3240	40
V4	16	13	STR	2700	42
V5	16	13	STR	2180	34
V6	4	13	STR	4020	16
V7	4	13	STR	3760	15
V8	8	13	STR	3240	26
V9	4	16	STR	4100	25
V10	12	16	STR	3780	70
V11	12	16	STR	3460	64
V12	24	13	STR	3140	74
V13	24	13	STR	2800	66
V14	24	13	STR	2480	60
V15	24	13	STR	2160	52
V16	4	13	STR	4100	16
V17	12	13	STR	3180	45
V18	12	13	STR	3460	41
Z1	4	19	4	2800	25
Z2	8	19	4	2380	43
Z3	10	19	4	1860	42
Z4	10	16	4	1300	20
Z5	6	19	4	2800	38
Z6	14	19	4	2520	79
Z7	14	19	4	2220	69
Z8	14	19	4	1920	60
Z9	14	19	4	1620	51
Z10	14	16	4	1300	41

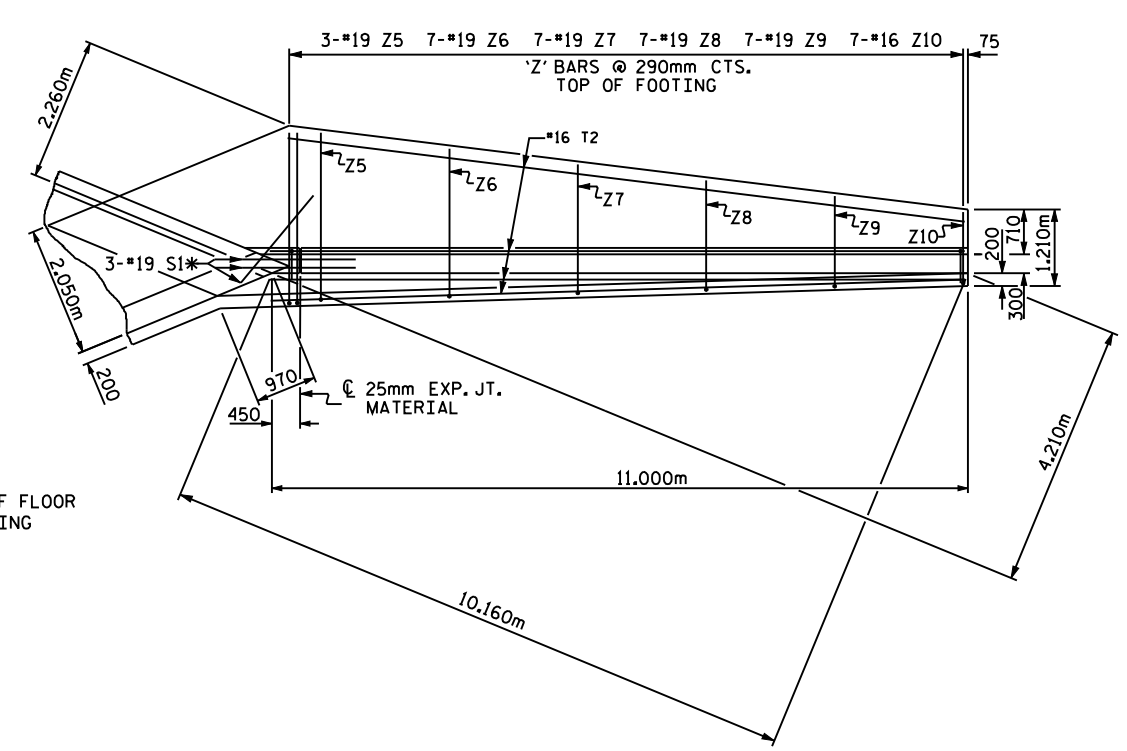
REINFORCING STEEL FOR 4 WINGS 2502 kg

CLASS A CONCRETE

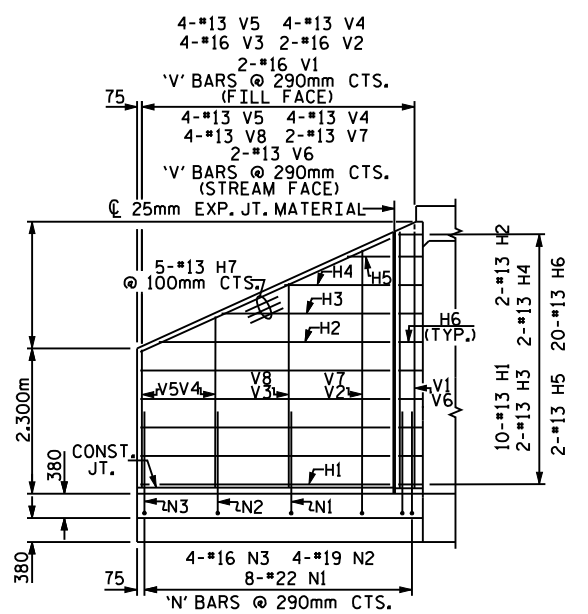
4 WINGS	62.6 m ³
2 HEADWALLS	m ³
2 END CURTAIN WALLS	m ³
TOTAL	m³



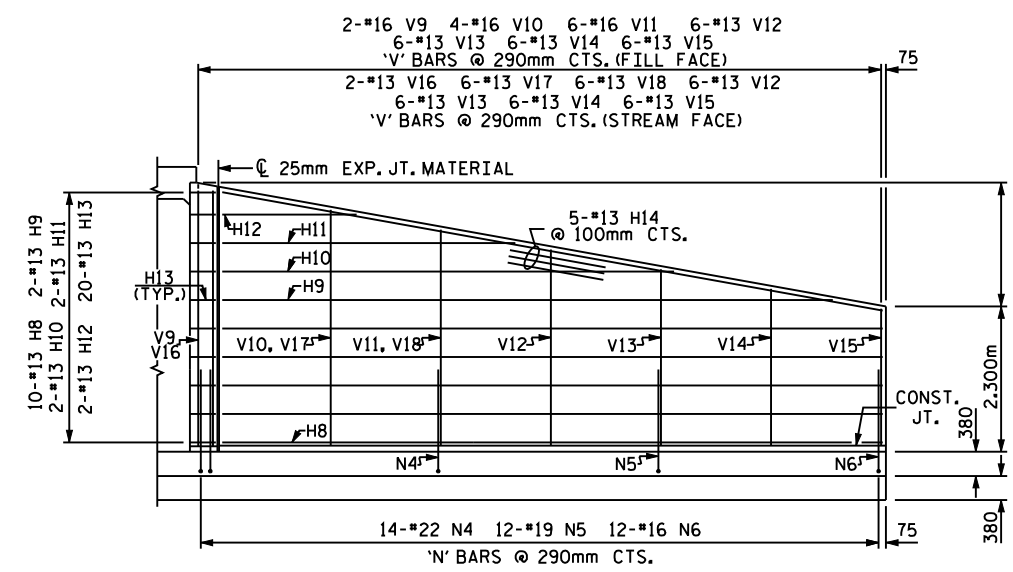
PLAN W2



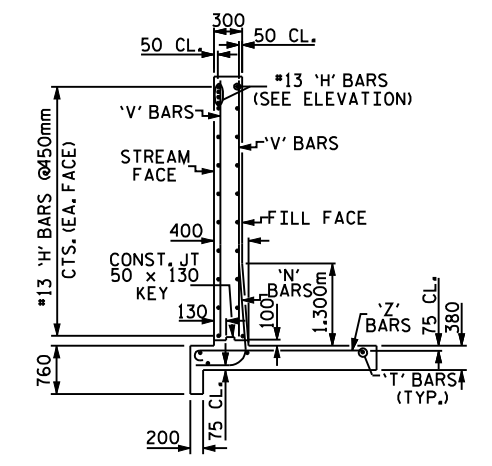
PLAN W1



ELEVATION W2



ELEVATION W1



TYPICAL WING SECTION

PROJECT NO. _____
 _____ COUNTY
 STATION: _____

SHEET OF _____
 STATE OF NORTH CAROLINA
 DEPARTMENT OF TRANSPORTATION
 RALEIGH
 STANDARD WINGS
 FOR
 CONCRETE BOX CULVERT
 H= 4.000m SLOPE 2:1
 45° OR 135° SKEW

NO.	BY:	DATE:	NO.	BY:	DATE:
1			3		
2			4		

TOTAL SHEETS

ASSEMBLED BY : _____ DATE : _____
 CHECKED BY : _____ DATE : _____
 DRAWN BY : KJA 7/97
 CHECKED BY : VAP 7/97

FOR WING ORIENTATION, SEE BARREL STANDARD SHEET.